

Medikro Pro

PRODUCT CODE
M915

All-in-one PC-based laboratory spirometer

Embedded Ambient Condition Measurement

Safe, disposable accessories

Networking & Connectivity

Interactive Child Incentive



MEDIKRO
Spirometry simplified



Medikro Pro represents the industry standard in PC-based spirometry. highly accurate and precise diagnostic tool equipped with embedded sensors that measure ambient conditions. These sensors enable automatic real-time BTPS correction, which further enhances the accuracy of the results.

To conduct spirometry tests, Pro uses SpiroSafe flow transducers that are easy to handle and ensure protection of patients from cross-contamination. For added safety, Bacterial & Viral Filters are employed to protect operators. Both products are designed for single use, which makes it easy to accommodate more patients.

PURCHASE BUNDLES

Basic package - M985

Starter consumable pack

- M915 Medikro Pro Spirometer
- M9256-100 SpiroSafe Disposable Flow Transducer, 100 pieces
- M9264-200 Spare Pressure Tube with connectors for Flow Transducer, length 200 cm
- Nose Clip, 100 pieces

Full package - M975

All components that the user needs

- M915 Medikro Pro Spirometer
- M9474 Calibration Syringe
- M9256-100 Disposable Flow Transducer, 100 pieces
- M9264-200 Spare Pressure Tube with connectors for Flow Transducer, length 200 cm
- MRN-01/100 Nose Clip, 100 pieces

SERVICE AGREEMENT

Opt for a service agreement with Medikro to enhance your equipment's longevity and reliability.

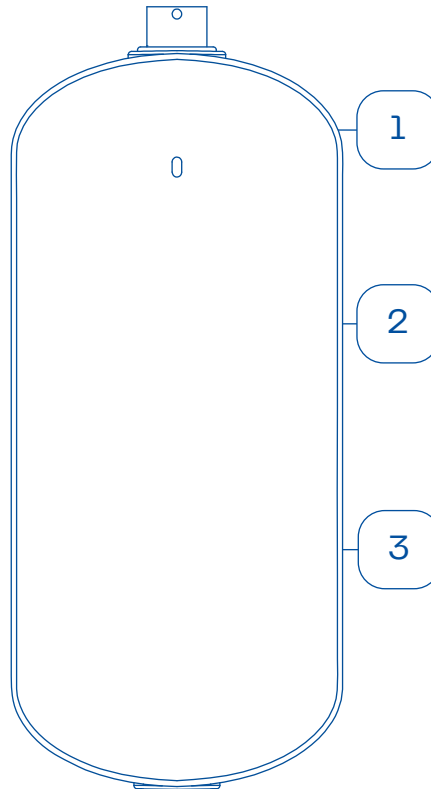
Indefinite Warranty

Service agreement customers receive a warranty extension as long as they continue annual maintenance, ensuring long-term value.

Hassle-Free Maintenance

We handle scheduling and reminders, allowing you to focus on core responsibilities while maintaining optimal device performance.

HIGHLIGHTS



VCT technology

Vibration Control Tubing (VCT) cancels the signal noise caused by patient and tube movement. This stabilizes the signal and improves overall spirometry quality.

Automated realtime BTPS correction

The temperature, pressure and humidity sensors track environmental conditions automatically and enable true realtime BTPS correction.

Optional Bronchial Provocation

Medikro Pro provides flexibility in bronchial provocation testing by allowing users to choose from ready-made protocols, create new ones based on existing templates, or generate completely novel protocols.

CUSTOMERS' FEEDBACK

"Medikro Pro has revolutionized my practice – it's accurate, efficient, and incredibly user-friendly!"

PRAXIS DR. JOHANNES SCHMIDT
GERMANY

CE ISO
0537 13485

Your local Medikro representative:



Medikro Oy
Pioneerinkatu 3
70800 Kuopio, Finland

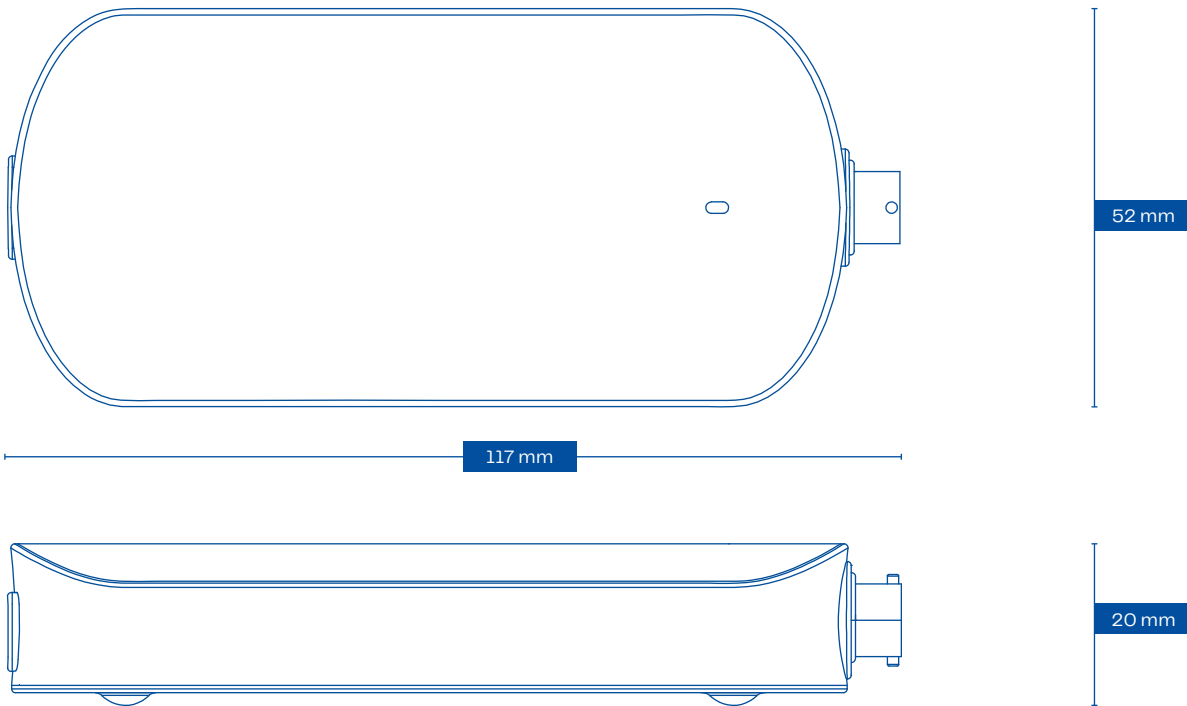
P.O.Box 54
FI-70101 Kuopio,
Finland

+358 44 777 7002
sales@medikro.fi
www.medikro.fi

Medikro Pro

PRODUCT CODE
M915

Technical specifications



| | | |
|---|----------------------------|---|
| Spirometer | Accuracy and precision: | Meets or exceeds ATS and ERS recommendations for spirometry accuracy and precision (Standardization of Spirometry, 2005)* |
| | Flow range: | -14 ... +14 l/s |
| | Long term stability: | 1 year $\pm 2,10\%$ (%FSS) |
| | Sample rate: | 800 Hz |
| Ambient Condition Sensors | Ambient temperature: | Accuracy: $\pm 1^\circ\text{C}$ |
| | | Range: +10 ... +40 $^\circ\text{C}$ |
| | | Long term stability: 25 $^\circ\text{C}$ for 5 years max ± 0.05 ($^\circ\text{C}/\text{yr}$) |
| | Relative humidity: | Accuracy: $\pm 3\%$ |
| | | Range: 10 ... 90%RH |
| | | Long term stability: 50 %RH for 5 years typical ± 0.05 max $\pm 1.20\%$ RH |
| | Barometric pressure: | Accuracy: ± 5 hPa |
| Range: 0...1125 hPa | | |
| Long term stability: 1000 hr, 25 $^\circ\text{C}$, typical $\pm 0.25\%$ (%FSS) | | |
| Sample rate: | 1 Hz | |
| Unit | Ambient temperature range: | Operating: + 10 ... + 40 $^\circ\text{C}$ |
| | | Shipping/storage: - 20 ... + 50 $^\circ\text{C}$ |
| | Relative humidity range: | Operating: 15 ... 90 % RH |
| | | Shipping/Storage: 10 ... 95 % RH |

| | | |
|--|--|---|
| Unit | Barometric pressure range: | Operating: 700 ... 1060 hPa Shipping/storage: 500 ... 1060 hPa |
| | Supply voltage: | 5 V via USB port |
| | Physical dimensions (LxWxH): | 117 mm x 52 mm x 20 mm |
| | Weight: | 235 g |
| | Quality system: | FDA QSR, MDD 93/42/EEC, ISO 13485 |
| | Safety standards: | IEC/EN60601-1, IEC/EN60601-1-2, IEC/EN60601-1-6, IEC/EN60601-1-9 |
| | Other standards: | ISO 26782, IEC/EN 62366 |
| | Warranty: | 3 years |
| | Measurement Maneuvres | Spirometry Measurements |
| Number of Measurements | | 8 per phase |
| Maximum duration of one measurement | | 60 seconds |
| Determination of O-time in FVC by back extrapolation | | |
| Software Features | <ul style="list-style-type: none"> - Children incentive - Interpretation - Automatic PDF /Image export - Pre & Post measurements - 102 variables | |
| Results and Database | <ul style="list-style-type: none"> - XML based import and export functions - Simultaneous F/V and V/T graphs - Trend & Histogram - Data transfer via XML/ GDT/ PDF/ PNG/ JPG/ BMP/ Base 64 - Final report. Pages including: best (representative) results, Pre- and Post-phase measurements, and trending variables. - 32 reference sets - ATS&ERS criteris of best results - Calibration log file shows calibration results | |
| Flow transducer | Medikro SpiroSafe | Disposable Single Patient Use Flow Transducer |
| | Flow range | (-) 14 l/s |
| | Material | Polyethylene |
| | Back pressure | less than 0.06 kPa(l/s) |
| | Accuracy | 3% without calibration. 2% with volume calibration. |
| System requirements | Operating system (32-bit/64bit) | Windows 10, and Windows 11 |
| | Server operating system (32-bit/64bit) | Windows Server 2012 R2 |
| | Display resolution | 1024x768 (minimum), 1600x1200 (recommended) |
| | CPU | 1GHz or faster |
| | RAM | 1 GB (minimum), 2 GB or more recommended |
| | USB port | For Medikro spirometer |



Your local Medikro representative:



Medikro Oy
Pioneerinkatu 3
70800 Kuopio, Finland

P.O.Box 54
FI-70101 Kuopio,
Finland

+358 44 777 7002
sales@medikro.fi
www.medikro.fi