

Medikro Primo

PRODUCT CODE
M914

PC-based office spirometer

Durable Office Spirometer

Safe, disposable accessories

User-Friendly



MEDIKRO
Spirometry simplified



Medikro Primo is a reliable and user-friendly PC-based spirometer designed specifically for primary care settings. It meets all the latest ATS/ERS spirometry standards and provides accurate results that healthcare professionals can trust.

The system is powered by the intuitive and easy-to-use Medikro Spirometry Software (MSS), which offers adjustable interpretation options, clear visualisation of results, and simple navigation. With Primo, general practitioners can feel confident in the reliability of their spirometry testing.

PURCHASE BUNDLES

Basic package - M984

Starter consumable pack

- M914 Medikro Primo Spirometer
- M9256-100 SpiroSafe Disposable Flow Transducer, 100 pieces
- M9264-200 Spare Pressure Tube with connectors for Flow Transducer, length 200 cm
- Nose Clip, 100 pieces

Full package - M974

All components that the user needs

- M914 Medikro Primo Spirometer
- M9474 Calibration Syringe
- M9256-100 Disposable Flow Transducer, 100 pieces
- M9264-200 Spare Pressure Tube with connectors for Flow Transducer, length 200 cm
- Nose Clip, 100 pieces

SERVICE AGREEMENT

Opt for a service agreement with Medikro to enhance your equipment's longevity and reliability.

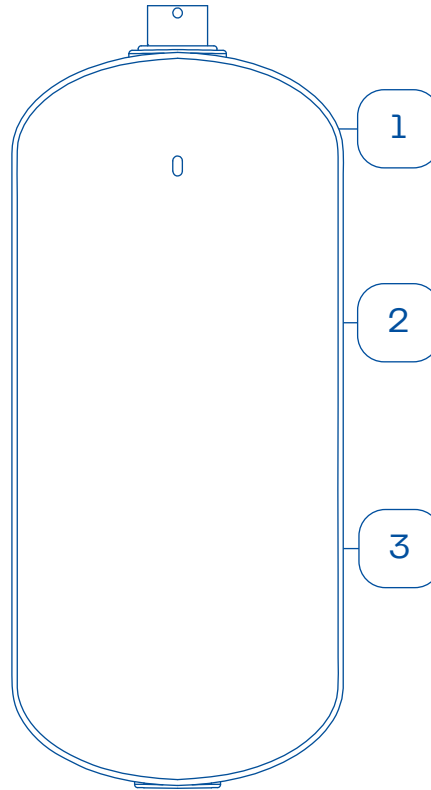
Indefinite Warranty

Service agreement customers receive a warranty extension as long as they continue annual maintenance, ensuring long-term value.

Hassle-Free Maintenance

We handle scheduling and reminders, allowing you to focus on core responsibilities while maintaining optimal device performance.

HIGHLIGHTS



Multiple calculation and interpretation options

1 Get the access to a wide range of calculation options for flexibility and accuracy in the analysis of spirometry results.

Patient safety

2 Medikro Primo also features the disposable Medikro SpiroSafe flow transducers that prevent cross-contamination and protect patients.

Trending

3 The trending feature in Medikro's spirometry software allows doctors to track the historical development of one or more variables, providing valuable insights into a patient's lung function over time. By monitoring and documenting treatment effects, doctors can identify the need for treatment modifications and evaluate the changes in lung function. This feature enables doctors to provide personalised care and make informed decisions.

CUSTOMERS' FEEDBACK

“Medikro Primo has revolutionized my practice – it's accurate, efficient, and incredibly user-friendly!”

PRAXIS DR. JOHANNES SCHMIDT
GERMANY

CE ISO
0537 13485

Your local Medikro representative:



Medikro Oy
Pioneerinkatu 3
70800 Kuopio, Finland

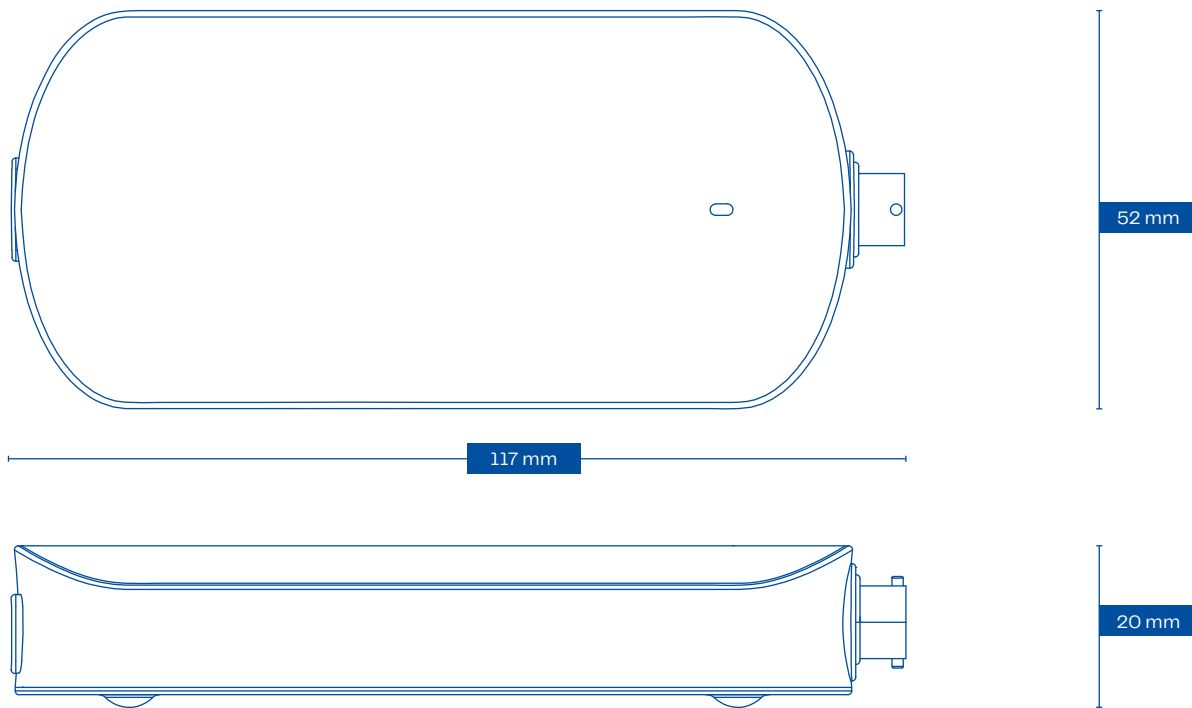
P.O.Box 54
FI-70101 Kuopio,
Finland

+358 44 777 7002
sales@medikro.fi
www.medikro.fi

Medikro Primo

PRODUCT CODE
M914

Technical specifications



Spirometer	Accuracy and precision:	Meets or exceeds ATS and ERS recommendations for spirometry accuracy and precision (Standardization of Spirometry, 2005)*
	Flow range:	-14 ... +14 l/s
	Long term stability:	1 year ±2,10% (%FSS)
	Sample rate:	800 Hz
Unit	Ambient temperature range:	Operating: + 10 ... + 40°C
		Shipping/storage: - 20 ... + 50°C
	Relative humidity range:	Operating: 15 ... 90 % RH
		Shipping/Storage: 10 ... 95 % RH
	Barometric pressure range:	Operating: 700 ... 1060 hPa
		Shipping/storage: 500 ... 1060 hPa
	Supply voltage:	5 V via USB port
	Physical dimensions (LxWxH):	117 mm x 52 mm x 20 mm
	Weight:	235 g
	Quality system:	FDA QSR, MDD 93/42/EEC, ISO 13485
Safety standards:	IEC/EN60601-1, IEC/EN60601-1-2, IEC/EN60601-1-6, IEC/EN60601-1-9	
Other standards:	ISO 26782, IEC/EN 62366	
Warranty:	3 years	

Measurement Maneuvres	Spirometry Measurements	SVC, FVC, FIVC, FVC+FIVC
	Number of Measurements	8 per phase
	Maximum duration of one measurement	60 seconds
	Determination of O-time in FVC by back extrapolation	
Software Features	<ul style="list-style-type: none"> - Pre & Post measurements - Interpretation - Automatic PDF /Image export - 91 variables 	
Results and Database	<ul style="list-style-type: none"> - XML based import and export functions - Simultaneous F/V and V/T graphs - Trend & Histogram - Data transfer via XML/ GDT/ PDF/ PNG/ JPG/ BMP/ Base 64 - Final report. Basic, 1 Page with best (representative) results - 32 reference sets - ATS&ERS criteris of best results - Calibration log file shows calibration results 	
Flow transducer	Medikro SpiroSafe	Disposable Single Patient Use Flow Transducer
	Flow range	(-+) 14 l/s
	Material	Polyethylene
	Back pressure	less than 0.06 kPa(l/s)
	Accuracy	3% without calibration. 2% with volume calibration.
System requirements	Operating system (32-bit/64bit)	Windows 10, and Windows 11
	Server operating system (32-bit/64bit)	Windows Server 2012 R2
	Display resolution	1024x768 (minimum), 1600x1200 (recommended)
	CPU	1GHz or faster
	RAM	1 GB (minimum), 2 GB or more recommended
	USB port	For Medikro spirometer



Your local Medikro representative:



Medikro Oy
Pioneerinkatu 3
70800 Kuopio, Finland

P.O.Box 54
FI-70101 Kuopio,
Finland

+358 44 777 7002
sales@medikro.fi
www.medikro.fi